

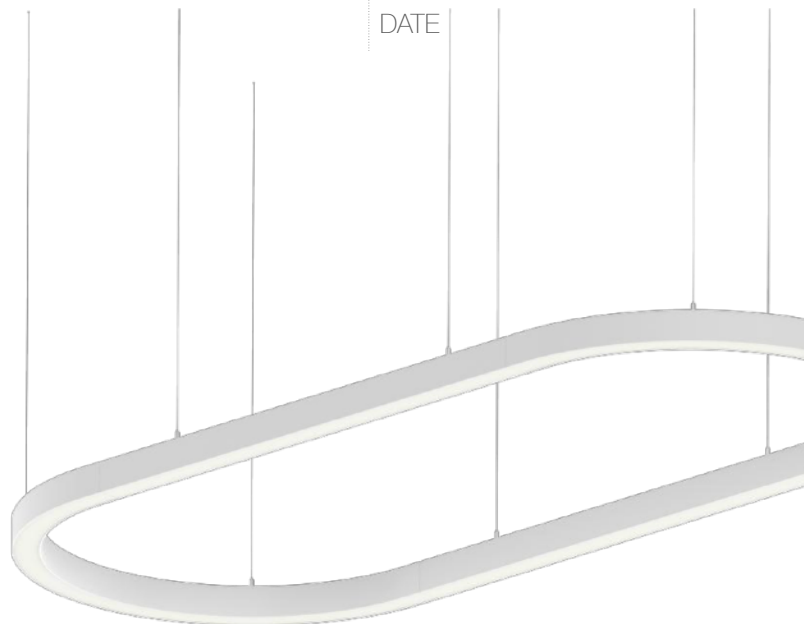


PROJECT  
SCHEDULE  
NOTES

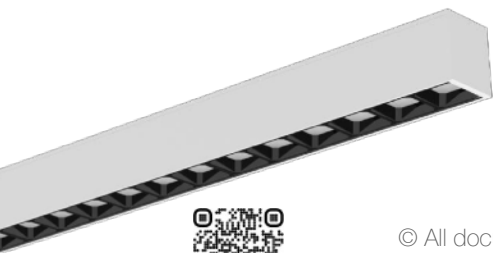
DATE

## LEDI (LI) Architectural Linear System

- Modern, low profile, bespoke 2" aluminum extrusion
- Buckle joint for easy and seamless continuous runs
- Tool-less end cap design for quick installation
- Suitable for suspended, wall-mounted, ceiling-mounted and recessed installation
- Optional connectors:
  - "T" connector "X" connector "L" connector and "V" 120° connector
- Rounded corners and semi circle connectors available, please refer to page 5
- Round pendants available in 20" and 40" dimensions, please refer to page 6
- Available in white RAL9016, black RAL9011 and silver RAL9006 finishes
- Optional paint to sample\*
- Standard opal diffuser lens, optional micro prismatic diffuser lens or bespoke low UGR <19 micro reflector design
- Optional direct + indirect lighting function: 30% indirect 70% direct (indirect lighting module sold separately)
- Direct light optics: 110°
- Indirect light optics: 110°
- CCT Selectable: 3000K-4000K-5000K
- CRI Ra80+, optional Ra90+
- Wattage Selectable 2ft: 10W-12W-15W
- Wattage Selectable 4ft: 20W-24W-30W
- Wattage Selectable 8ft: 40W-48W-60W
- Wattage Selectable 4ft HO: 30W-40W-50W
- Wattage Selectable 8ft HO: 60W-80W-100W
- Luminous Efficacy: 130lm/W, DLC premium
- Input line voltage: 120-347VAC; 50/60Hz
- Flicker-free driver, 0-10V dimming
- Insulation type: Class II
- Power factor: >0.9
- THD ≤20%
- Ingress protection: IP20
- Damp location rated
- Operating temperature: -25°C~45°C
- Operating humidity: 10%~90% RH
- Rated lifespan ≥50,000hours (L80B20 @25°C)
- 5 Year Warranty



Light Distribution	Length	Maximum Wattage	Luminous Efficacy	Lumens	Max. Lumens Per Foot
Direct 100%	2ft	15W	130lm/W	1,950lm	975lm/ft
	4ft	30W		3,900lm	
	8ft	60W		7,800lm	
Direct 70%	2ft	10.5W	130lm/W	1,365lm	682.5lm/ft
	4ft	21W		2,730lm	
	8ft	42W		5,460lm	
Indirect 30%	2ft	4.5W	130lm/W	585lm	292.5lm/ft
	4ft	9W		1,170lm	
	8ft	18W		2,340lm	
Direct 100%	4ft HO	50W	130lm/W	6,500lm	1,625lm/ft
	8ft HO	100W		13,000lm	
Direct 70%	4ft HO	35W	130lm/W	4,550lm	1,137.5lm/ft
	8ft HO	70W		9,100lm	
Indirect 30%	4ft HO	15W	130lm/W	1,950lm	487.5lm/ft
	8ft HO	30W		3,900lm	



© All documentation is subject to change without notice. Please refer to our website for the latest product information and specifications. Please contact us for details.\*  
[www.lumenefficientdesign.ca](http://www.lumenefficientdesign.ca)



PROJECT  
SCHEDULE  
NOTES

DATE

Ordering Guide

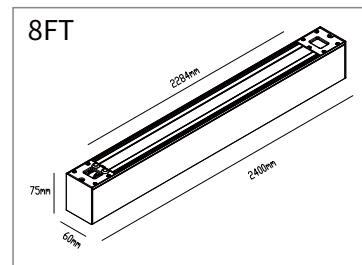
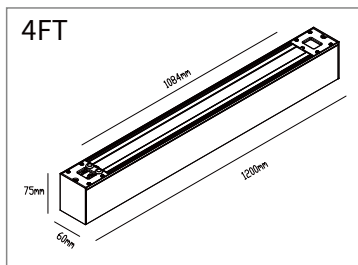
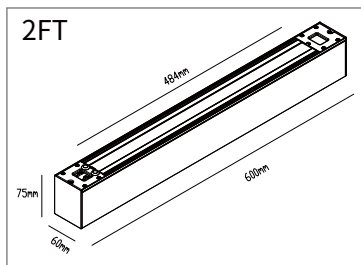
Model	Length	Selectable Wattage	Selectable CCT	Voltage	Dimming	Light Distribution	Finish	Lens
LEDI-LI	<input type="checkbox"/> 2ft	10W-12W-15W	3000-4000-5000K	120-347V	0-10V	<input type="checkbox"/> Direct <input type="checkbox"/> Direct + Indirect	<input type="checkbox"/> Black <input type="checkbox"/> White <input type="checkbox"/> Silver <input type="checkbox"/> Custom*	<input type="checkbox"/> Opal Diffuser <input type="checkbox"/> Micro Prismatic Diffuser* <input type="checkbox"/> Low UGR <19 Micro Reflector*
	<input type="checkbox"/> 4ft	20W-24W-30W						
	<input type="checkbox"/> 8ft	40W-48W-60W						
	<input type="checkbox"/> 4ft HO	30W-40W-50W						
	<input type="checkbox"/> 8ft HO	60W-80W-100W						

Total Run	Installation Type	Connector Type	Wiring	Wire Type	Wire Length	Notes
_____ ft	<input type="checkbox"/> Suspended <input type="checkbox"/> T-Grid Suspended <input type="checkbox"/> Ceiling Mounted <input type="checkbox"/> Recessed <input type="checkbox"/> Wall Mounted <input type="checkbox"/> Canopy Kits	<input type="checkbox"/> "T" Type <input type="checkbox"/> "X" Type <input type="checkbox"/> "L" Type <input type="checkbox"/> "V" Type 120° <input type="checkbox"/> Continuous Run <input type="checkbox"/> None	5 Core	Clear	<input type="checkbox"/> 5.0ft <input type="checkbox"/> 8.5ft*	Please refer to page 5 for additional information on rounded corner or semi circle connectors

Model	Diameter	Selectable Wattage	Selectable CCT	Voltage	Dimming	Light Distribution	Finish	Lens
LEDI-LI-O	<input type="checkbox"/> 20"	36W-48W-60W	3000-4000-5000K	120-347V	0-10V	Direct	White	Opal Diffuser
	<input type="checkbox"/> 40"	72W-96W-120W						

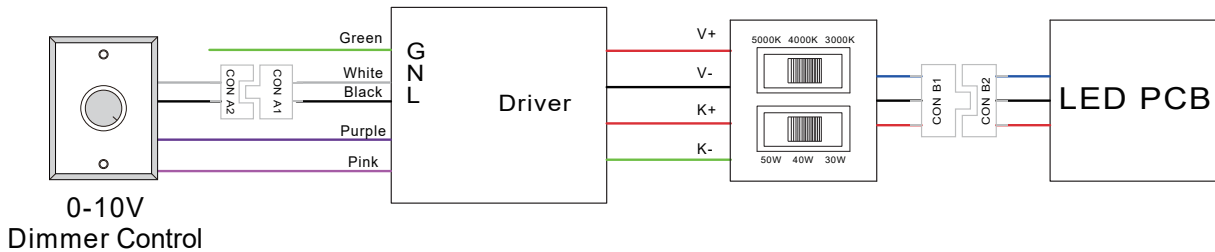
Installation Type	Connector Type	Wiring	Wire Type	Wire Length	Notes
Suspended Canopy	Connector Included	5 Core	Clear	<input type="checkbox"/> 5.0ft <input type="checkbox"/> 8.5ft*	Please refer to page 6 for additional information on round pendants

Dimensions



Wiring Diagram

0-10V - DIMMING (Standard) Wiring:



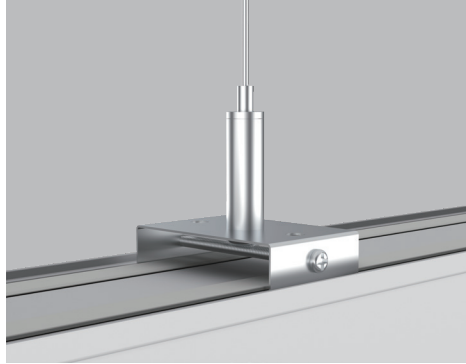
Installation Accessories

Suspended

Two Round Canopies: Ø 130 mm x H 6 mm

Aircraft Cable 1.8M

Finishes: White RAL9016, Black RAL9011

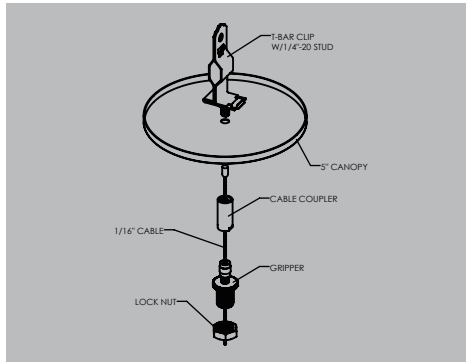


Suspended T-Grid

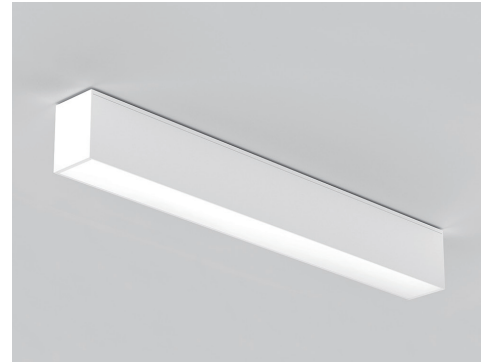
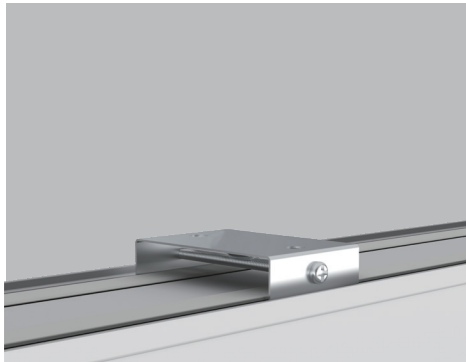
Two Round Canopies: Ø 130mm x H 6mm

Aircraft Cable 1.8M

Finishes: White RAL9016, Black RAL9011



Surface Mounted





Installation Accessories

Recessed

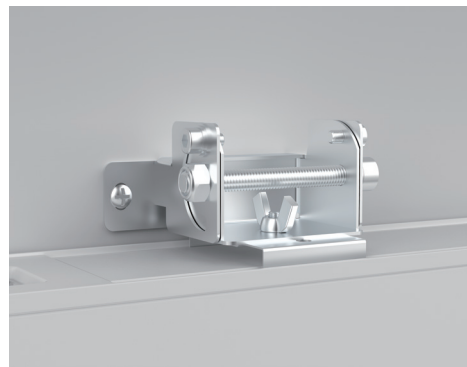
Available for 2ft, 4ft and 8ft dimensions

Finishes: White RAL9016, Black RAL9011



Adjustable Wall Mount

Features: 180° Degrees of Adjustability

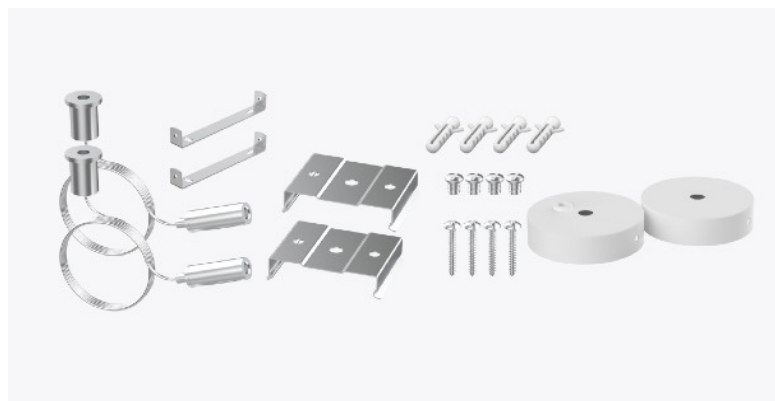


Suspension Kits with Canopies

Two Round Canopies: Ø 130mm x H 6mm

Aircraft Cable 1.8M

Finishes: White RAL9016, Black RAL9011





PROJECT  
 SCHEDULE  
 NOTES

DATE

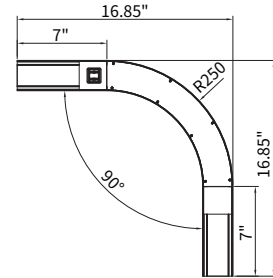
Connector Accessories

Rounded Corner Connector

CCT Selectable:  
 3000K-4000K-5000K

Finishes: White RAL9016, Black  
 RAL9011 and Silver RAL9006

Lens: Opal Diffuser

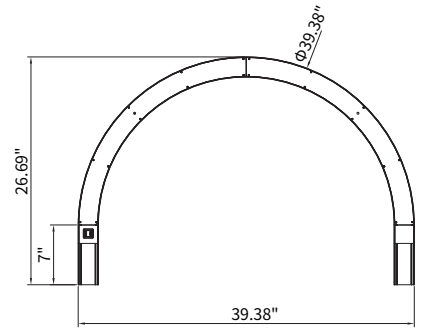
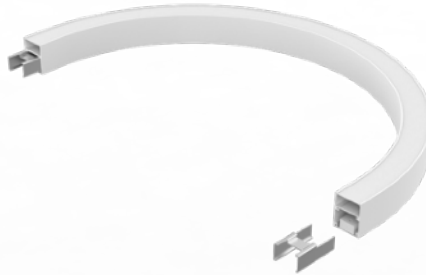


Semi-Circle Connector

CCT Selectable:  
 3000K-4000K-5000K

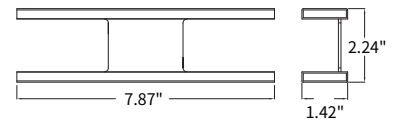
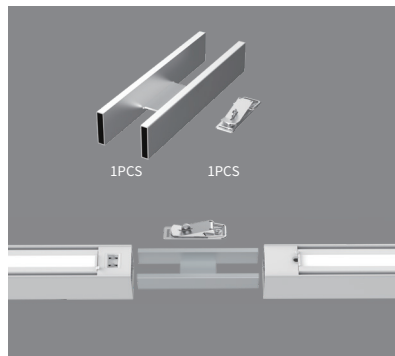
Finishes: White RAL9016, Black  
 RAL9011 and Silver RAL9006

Lens: Opal Diffuser



Continuous Run Buckle Connector

Tool less connection for seamless  
 continuous runs



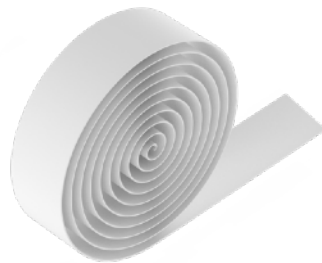
Connector Accessories

Continuous Run Diffuser

Lens: Opal Diffuser

Dimensions:  
L30,000mm x W57mm x H0.8mm

Material: Polycarbonate  
Transmittance: >65%  
Haze: >85%



Indirect Lighting Module: 2ft, 4ft, 8ft

Programmable driver sets the lighting distribution to 30% indirect and 70% direct lighting

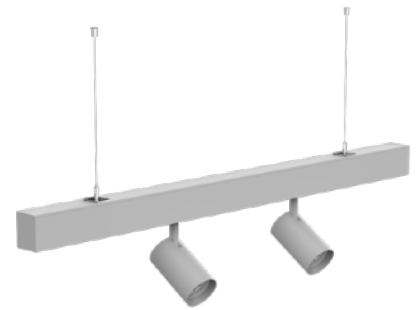
2ft: Upper module for 2ft, 3CCT, 3000K-4000K-5000K, 130lm/W

4ft: Upper module for 4ft, 3CCT, 3000K-4000K-5000K, 130lm/W

8ft: Upper module for 8ft, 3CCT, 3000K-4000K-5000K, 130lm/W



Track Light Module\* (currently in development)



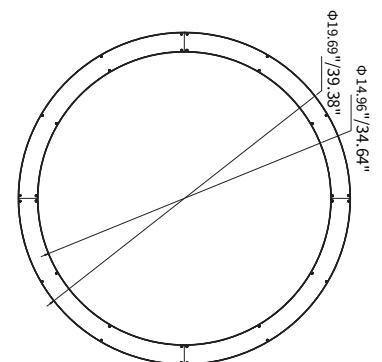
Round Pedant

20" LEDI-LI-O500

Wattage Selectable:  
36W-48W-60W  
CCT Selectable:  
3000K-4000K-5000K  
Direct light optics: 110°  
Finish: White RAL9016

40" LEDI-LI-O1000

Wattage Selectable  
72W-96W-120W  
CCT Selectable:  
3000K-4000K-5000K  
Direct light optics: 110°  
Finish: White RAL9016





PROJECT  
SCHEDULE  
NOTES

DATE



Connector Accessories

Lenses:  
Opal Diffuser  
Micro Prismatic Diffuser

3CCT: 3000K-4000K-5000K

Finishes: White RAL9016, Black  
RAL9011 and Silver RAL9006

“T” Type Connector



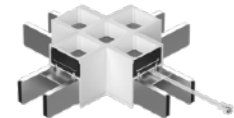
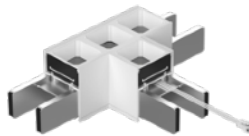
“X” Type Connector



Lens: Low UGR <19 Micro Reflector

3CCT: 3000K-4000K-5000K

Finishes: White RAL9016, Black  
RAL9011



“L” Type Connector

Lenses:  
Opal Diffuser  
Micro Prismatic Diffuser

3CCT: 3000K-4000K-5000K

Finishes: White RAL9016, Black  
RAL9011 and Silver RAL9006



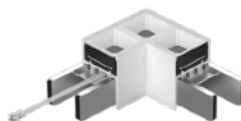
“V” Type Connector



Lens: Low UGR <19 Micro Reflector

3CCT: 3000K-4000K-5000K

Finishes: White RAL9016, Black  
RAL9011



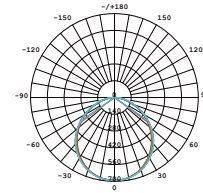
Photometry Data

LUMINAIRE DATA

Test No.	LI-J0600-15D-SPCDFS-[W;B]
Description	DIRECT Lighting
Delivered Lumens	1843 LM
Watts	15.9 W
Efficacy	115.53 LM/W

ZONAL LUMEN SUMMARY

Zone	Lumens	% Luminaire
0-30	516.2	28
0-40	842.2	45.7
0-60	1469	88.5
0-90	1843	100.0
0-180	0	0

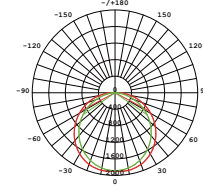


LUMINAIRE DATA

Test No.	LI-J1200-50D-SPCDFS-[W;B]
Description	DIRECT Lighting
Delivered Lumens	5789.07 LM
Watts	49.48 W
Efficacy	117.01 LM/W

ZONAL LUMEN SUMMARY

Zone	Lumens	% Luminaire
0-30	1494	25.8
0-40	2460	42.5
0-60	4408	76.1
0-90	5789	100.0
0-180	0	0

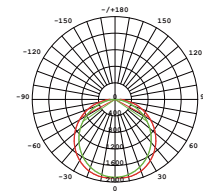


LUMINAIRE DATA

Test No.	LI-J2400-100D-SPCDFS-[W;B]
Description	DIRECT Lighting
Delivered Lumens	11578.14 LM
Watts	98.96 W
Efficacy	115.53 LM/W

ZONAL LUMEN SUMMARY

Zone	Lumens	% Luminaire
0-30	2988	28
0-40	4920	45.7
0-60	8816	88.5
0-90	11578	100.0
0-180	0	0

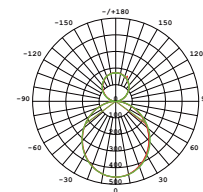


LUMINAIRE DATA

Test No.	LI-J0600-15D-SPCDFU-[W;B]
Description	INDIRECT / DIRECT Lighting
Delivered Lumens	1714 LM
Watts	14.81 W
Efficacy	115.74 LM/W

ZONAL LUMEN SUMMARY

Zone	Lumens	% Luminaire
0-30	347.6	20.3
0-40	562.8	32.8
0-60	975	56.9
0-90	1228	71.7
90-120	104	6
90-150	353	20.5
90-180	486	28.3

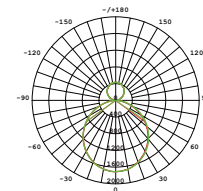


LUMINAIRE DATA

Test No.	LI-J1200-50D-SPCDFU-[W;B]
Description	INDIRECT / DIRECT Lighting
Delivered Lumens	5943.81 LM
Watts	49.62 W
Efficacy	119.78 LM/W

ZONAL LUMEN SUMMARY

Zone	Lumens	% Luminaire
0-30	1313	22.1
0-40	2139	36
0-60	3743	63
0-90	4706	79.2
90-120	266	4.5
90-150	902	15.2
90-180	1237	20.8



LUMINAIRE DATA

Test No.	LI-J2400-100D-SPCDFU-[W;B]
Description	INDIRECT / DIRECT Lighting
Delivered Lumens	11887.62 LM
Watts	99.24 W
Efficacy	119.78 LM/W

ZONAL LUMEN SUMMARY

Zone	Lumens	% Luminaire
0-30	2626	22.1
0-40	4278	36
0-60	7486	63
0-90	9412	79.2
90-120	532	4.5
90-150	1804	15.2
90-180	2474	20.8

